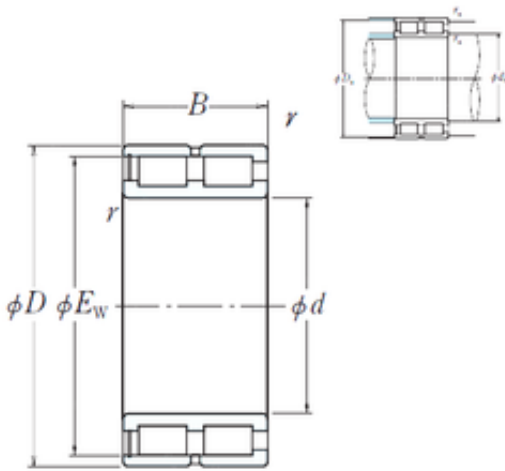




# NTN BEARUNG DRIVESHAFT,INC.

## 340 mm x 460 mm x 118 mm NSK NNCF4968V cylindrical roller bearings

Bearing No. NNCF4968V



NNCF4968V Bearing 2D drawings and 3D CAD models

Size	340x431x118 mm
Bore Diameter	340 mm
Outer Diameter	431 mm
Width	118 mm
d	340 mm
D	460 mm
E <sub>w</sub>	431 mm
B	118 mm
C	118 mm
r min.	3 mm
Da	438 mm
ra max.	2,5 mm
da	361 mm
Weight	58 Kg
Basic dynamic load rating (C)	1690 kN