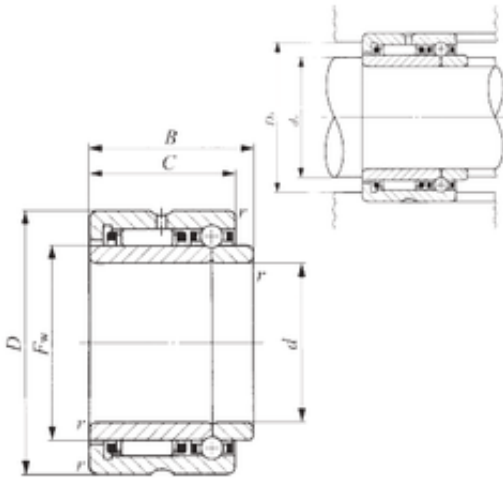




NTN BEARUNG DRIVESHAFT, INC.

20 mm x 37 mm x 25 mm IKO NATB 5904
complex bearings

Bearing No. NATB 5904



NATB 5904 Bearing 2D drawings and 3D CAD models

| | |
|--------------------------------|-------------|
| Size | 20x37x25 mm |
| Bore Diameter | 20 mm |
| Outer Diameter | 37 mm |
| Width | 25 mm |
| d | 20 mm |
| Fw | 25 mm |
| D | 37 mm |
| B | 25 mm |
| C | 23 mm |
| r min. | 0,3 mm |
| da min. | 22 mm |
| Da max. | 35 mm |
| Weight | 0,115 Kg |
| Dynamic load rating radial (C) | 14,3 kN |
| Dynamic load rating axial (C) | 3,81 kN |
| Static load rating radial (C0) | 18,4 kN |
| Static load rating axial (C0) | 6,11 kN |