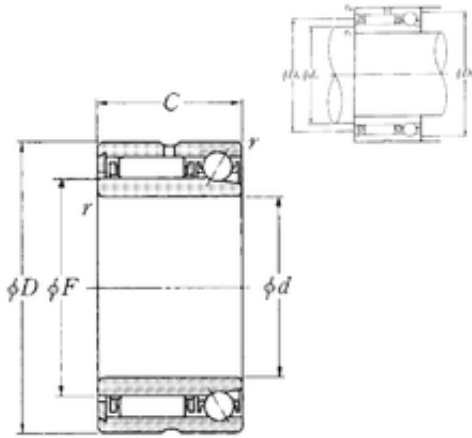




NTN BEARUNG DRIVESHAFT,INC.

60 mm x 85 mm x 34 mm NTN NKIA5912
complex bearings



Bearing No. NKIA5912

NKIA5912 Bearing 2D drawings and 3D CAD models

Size	60x85x34 mm
Bore Diameter	60 mm
Outer Diameter	85 mm
Width	34 mm
d	60 mm
F	68 mm
D	85 mm
B	34 mm
C	34 mm
r min.	1 mm
da min.	66 mm
Da max.	71,5 mm
ra max.	1 mm
Db max	79 mm
Weight	0,632 Kg
Dynamic load rating radial (C)	45,5 kN
Dynamic load rating axial (C)	14,8 kN
Static load rating radial (C0)	101 kN
Static load rating axial (C0)	36 kN
(Grease) Lubrication Speed	4000 r/min