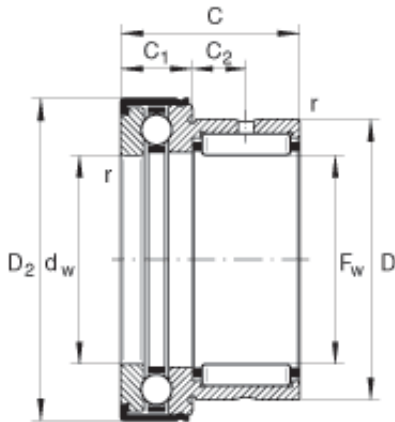




NTN BEARUNG DRIVESHAFT, INC.

INA NKX50-Z complex bearings

Bearing No. NKX50-Z



NKX50-Z Bearing 2D drawings and 3D CAD models

Size	50x62x35 mm
Bore Diameter	50 mm
Outer Diameter	62 mm
Width	35 mm
F_w	50 mm
D	62 mm
C - 35 mm / Tolerance: -0,25	35 mm / Tolerance: 0,25
C_1 - 14 mm / Tolerance: -0,2	14 mm / Tolerance: 0,2
C_2	10 mm
$D_{2 \max}$	71,5 mm
d_a	65,5 mm
d_w	50 mm / Tolerance: E8
$r_{a \max}$	0,6 mm
r_{\min}	0,6 mm
	NAXK50Z / Designation to DIN 5429
m	300 g / Weight
C_r	43000 N / Dynamic load rating (radial)
C_{0r}	74000 N / Static load rating (radial)
C_a	29000 N / Dynamic load rating (axial)
C_{0a}	75000 N / Static load rating (axial)



NTN BEARUNG DRIVESHAFT,INC.

C _{ur}	12700 N / Fatigue limit load, radial
C _{ua}	3650 N / Fatigue limit load, axial
n _G	3300 1/min / Limiting speed
	IR45X50X25 / Suitable inner ring
Category	Thrust Roller Bearing
Inventory	5.0
Manufacturer Name	SCHAEFFLER GROUP
Minimum Buy Quantity	N/A
Weight / Kilogram	0
EAN	4012802060324
Product Group	B04144
Rolling Element	Combination - Needle Roller and Thrust Ball Bearing
Self Aligning	No
Component Description	Roller Assembly plus Raceways
Thrust Bearing	Yes
Single or Double Direction	Single Direction
Banded	No
Cage Material	Steel
Precision Class	ABEC 1 ISO P0
Other Features	With Grease Retaining Cap
Long Description	50MM Bore 1; 50MM Bore 2; 62MM Outside Diameter; 35MM Height; Combination - Needle Roller and Thrust Ball Bearing; Single Direction; Not Self Aligning; Not Banded; Steel Cage; ABEC 1 ISO P0; Roller
Inch - Metric	Metric



NTN BEARUNG DRIVESHAFT, INC.

Category	Thrust Roller Bearings
UNSPSC	31171537
Harmonized Tariff Code	8482.80.00.40
Noun	Bearing
Keyword String	Combination
Manufacturer URL	http://www.ina.com
Manufacturer Item Number	NKX50Z
Weight / LBS	0.617
Outside Diameter	2.441 Inch 62 Millimeter
Overall Height with Aligning Washer	0 Inch 0 Millimeter
Bore 1	1.969 Inch 50 Millimeter
Bore 2	1.969 Inch 50 Millimeter
Height	1.378 Inch 35 Millimeter