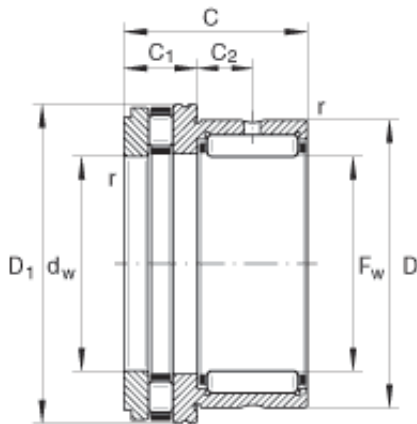




NTN BEARUNG DRIVESHAFT, INC.



NKXR25 Bearing 2D drawings and 3D CAD models

INA NKXR25 complex bearings

Bearing No. NKXR25

Size	25x37x30 mm
Bore Diameter	25 mm
Outer Diameter	37 mm
Width	30 mm
F_w	25 mm
D	37 mm
C - 30 mm / Tolerance: -0,25	30 mm / Tolerance: 0,25
C_1 - 11 mm / Tolerance: -0,2	11 mm / Tolerance: 0,2
C_2	9,5 mm
$D_{1 \max}$	42,1 mm
d_a	37,7 mm
d_w	25 mm / Tolerance: E8
$r_{a \max}$	0,6 mm
r_{\min}	0,6 mm
	NAXR25 / Designation to DIN 5429
m	120 g / Weight
C_r	21300 N / Dynamic load rating (radial)
C_{0r}	30500 N / Static load rating (radial)
C_a	33500 N / Dynamic load rating (axial)
C_{0a}	76000 N / Static load rating (axial)



NTN BEARUNG DRIVESHAFT,INC.

C_{ur}	5300 N / Fatigue limit load, radial
C_{ua}	7100 N / Fatigue limit load, axial
n_G	8500 1/min / Limiting speed
n_B	3400 1/min / Reference speed
	IR20X25X20 / Suitable inner ring
Category	Thrust Roller Bearing
Inventory	0.0
Manufacturer Name	SCHAEFFLER GROUP
Minimum Buy Quantity	N/A
Weight / Kilogram	0.12
EAN	4012802132717
Product Group	B04144
Rolling Element	Combination - Needle Roller and Thrust Roller Bearing
Self Aligning	No
Component Description	Roller Assembly plus Raceways
Thrust Bearing	Yes
Single or Double Direction	Single Direction
Banded	No
Cage Material	Steel
Precision Class	ABEC 1 ISO P0
Long Description	25MM Bore 1; 25MM Bore 2; 37MM Outside Diameter; 30MM Height; Combination - Needle Roller and Thrust Roller Bearing; Single Direction; Not Self Aligning; Not Banded; Steel Cage; ABEC 1 ISO P0; Rolle
Inch - Metric	Metric



NTN BEARUNG DRIVESHAFT,INC.

Category	Thrust Roller Bearings
UNSPSC	31171537
Harmonized Tariff Code	8482.80.00.80
Noun	Bearing
Keyword String	Combination
Manufacturer URL	http://www.ina.com
Manufacturer Item Number	NKXR25
Weight / LBS	0.265
Bore 2	0.984 Inch 25 Millimeter
Overall Height with Aligning Washer	0 Inch 0 Millimeter
Bore 1	0.984 Inch 25 Millimeter
Height	1.181 Inch 30 Millimeter
Outside Diameter	1.457 Inch 37 Millimeter