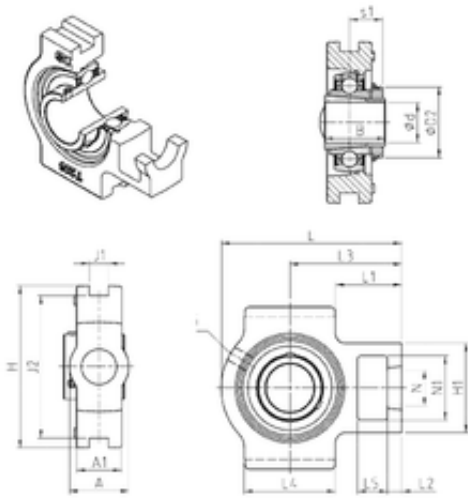




NTN BEARUNG DRIVESHAFT, INC.



UKT309H Bearing 2D drawings and 3D CAD models

SNR UKT309H bearing units

Bearing No. UKT309H

Bore Diameter	40 mm
d	40 mm
L4	97 mm
L5	24 mm
L2	20 mm
L3	110 mm
s1	30 mm
A	55 mm
A1	38 mm
B	50 mm
D2	65 mm
H	138 mm
H1	90 mm
L	178 mm
L1	61,5 mm
N	34 mm
N1	55 mm
Thread (G)	M6x1
J1	18 mm
J2	125 mm
Weight	4,2 Kg
Basic dynamic load rating (C)	53 kN