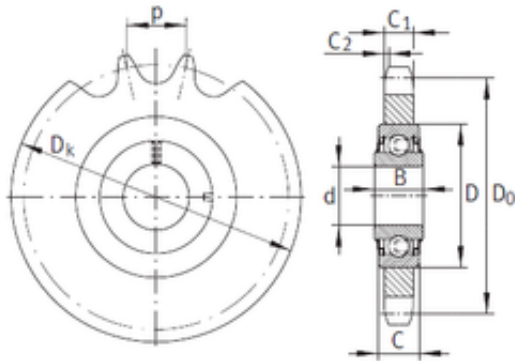




NTN BEARUNG DRIVESHAFT, INC.

25 mm x 52 mm x 21 mm INA KSR25-L0-20-10-13-15 bearing units



Bearing No. KSR25-L0-20-10-13-15

Size	25x52x21 mm
Bore Diameter	25 mm
Outer Diameter	52 mm
Width	21 mm
d	25 mm
D	52 mm
B	21 mm
Number of teeth	13
Do	132,7 mm
Dk	144 mm
C	15 mm
C1	17,6 mm
C2	2,5 mm
Weight	1,6 Kg
1	DIN 8187

KSR25-L0-20-10-13-15 Bearing 2D drawings and 3D CAD models