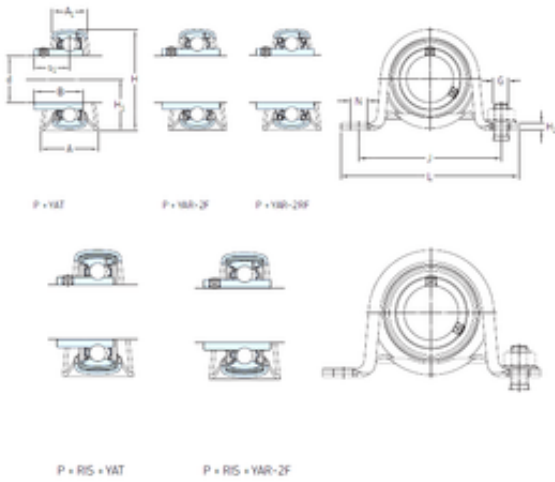




# NTN BEARUNG DRIVESHAFT, INC.



## SKF P 30 WF bearing units

Bearing No. P 30 WF

Bore Diameter	30 mm
d	30 mm
s1	30,1 mm
A	38 mm
A1	25 mm
B1	48,4 mm
G	10 mm
H	66 mm
H1	32,9 mm
H2	4 mm
J	95 mm
L	119 mm
N	11,2 mm
Weight	0,41 Kg
Basic dynamic load rating (C)	19,5 kN
Basic static load rating (C0)	11,2 kN
Housing material	Pressed steel
A <sub>1</sub>	25 mm
B <sub>1</sub>	48.4 mm
H <sub>1</sub>	33 mm
H <sub>2</sub>	4 mm
s <sub>1</sub>	30.1 mm
Basic dynamic load rating C	19.5 kN
Basic static load rating C <sub>0</sub>	11.2 kN
Fatigue load limit P <sub>u</sub>	0.475 kN
Permissible radial housing	2.6 kN

P 30 WF Bearing 2D drawings and 3D CAD models



## NTN BEARUNG DRIVESHAFT,INC.

load max.	
Limiting speed	6300 r/min
Mass bearing unit	0.55 kg
Thread grub screw G <sub>2</sub>	M8x1
Hexagonal key size for grub screw N	4 mm
Recommended tightening torque for grub screw	6.5 N · m
Recommended diameter for attachment bolts, mm G	10 mm
Recommended diameter for attachment bolts, inch G	0.375 in