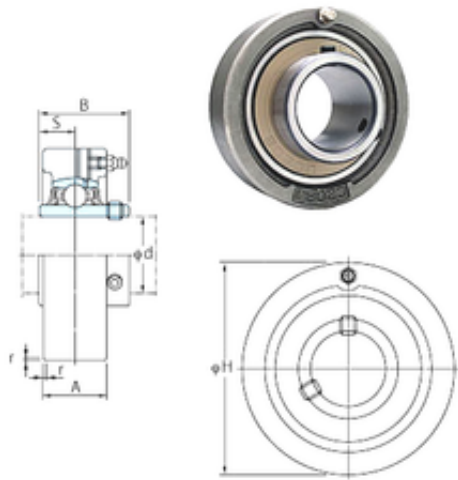




# NTN BEARUNG DRIVESHAFT,INC.

## FYH UCC311-32 bearing units

Bearing No. UCC311-32



Bore Diameter	50,8 mm
Width	66 mm
d	50,8 mm
r	3 mm
A	44 mm
B	66 mm
H	150 mm
S	25 mm
Weight	3,9 Kg
Basic dynamic load rating (C)	71,6 kN
Basic static load rating (C0)	45 kN

UCC311-32 Bearing 2D drawings and 3D CAD models