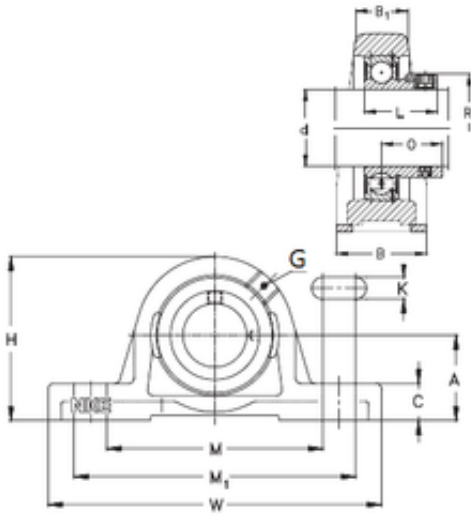




NTN BEARUNG DRIVESHAFT, INC.

NKE RASEY16 bearing units

Bearing No. RASEY16



RASEY16 Bearing 2D drawings and 3D CAD models

Bore Diameter	16 mm
Width	30 mm
d	16 mm
O	15,9 mm
A	30,2 mm
B	30 mm
B1	18 mm
C	10 mm
H	57 mm
K	11 mm
L	27,4 mm
M	87 mm
M1	103 mm
W	125 mm
Thread (G)	M6