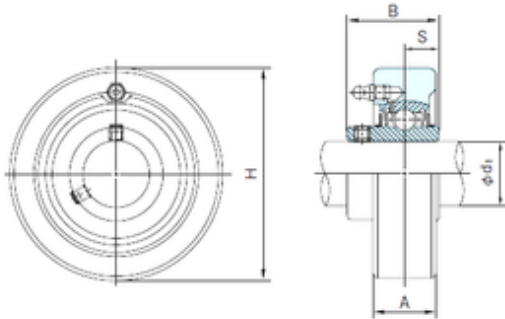




NTN BEARUNG DRIVESHAFT, INC.

NACHI UCC320 bearing units



Bearing No. UCC320

Bore Diameter	100 mm
Width	108 mm
d	100 mm
A	75 mm
B	108 mm
H	260 mm
S	42 mm

UCC320 Bearing 2D drawings and 3D CAD models