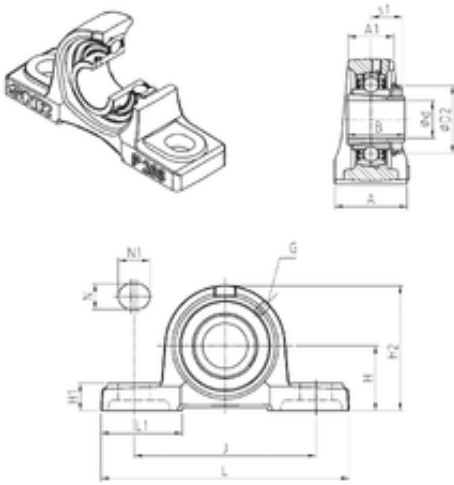




# NTN BEARUNG DRIVESHAFT, INC.



UKP309H Bearing 2D drawings and 3D CAD models

## SNR UKP309H bearing units

Bearing No. UKP309H

Bore Diameter	40 mm
d	40 mm
s1	30 mm
A	67 mm
A1	45 mm
B	50 mm
D2	65 mm
H	67 mm
H1	24 mm
H2	129 mm
J	190 mm
L	245 mm
L1	65 mm
N	20 mm
N1	30 mm
Thread (G)	M6x1
Weight	4,8 Kg
Basic dynamic load rating (C)	53 kN