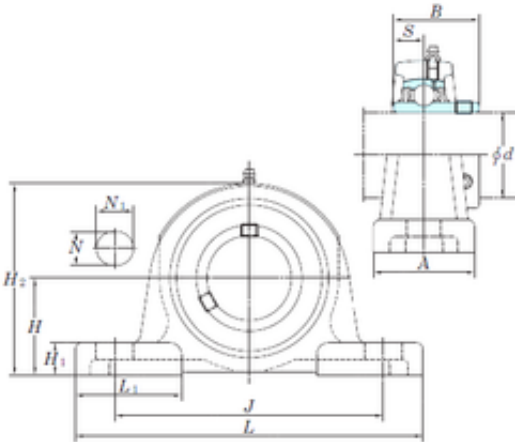




NTN BEARUNG DRIVESHAFT, INC.

KOYO UCP202 bearing units

Bearing No. UCP202



UCP202 Bearing 2D drawings and 3D CAD models

Bore Diameter	15 mm
Width	31 mm
d	15 mm
A	38 mm
B	31 mm
H	30,2 mm
H1	12 mm
H2	60 mm
J	95 mm
L	127 mm
L1	38 mm
N	13 mm
N1	18 mm
S	12,7 mm
Bolt (G)	M10
Weight	0,61 Kg
Basic dynamic load rating (C)	12,8 kN
Basic static load rating (C0)	6,65 kN
Bearing No.	UCP202
Bolt size	M10
Cr	12.8
C0r	6.65
f0	13.2
(Refer.)Unit mass(kg)	0.61
Nipple size	1/4-28UNF