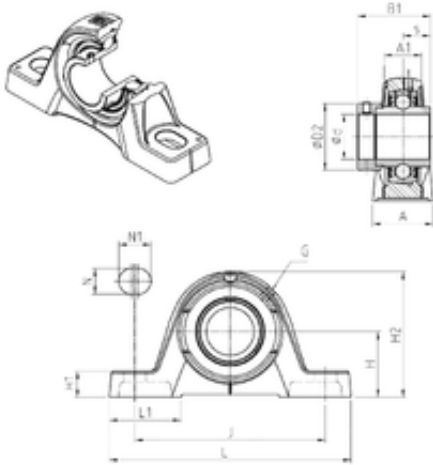




NTN BEARUNG DRIVESHAFT,INC.

SNR EXPE213 bearing units

Bearing No. EXPE213



EXPE213 Bearing 2D drawings and 3D CAD models

Bore Diameter	65 mm
d	65 mm
s	34,1 mm
A	65 mm
A1	44 mm
B1	85,7 mm
D2	86 mm
H	79,4 mm
H1	27,5 mm
H2	156 mm
J	203 mm
L	260 mm
L1	77 mm
N	22 mm
N1	28 mm
Thread (G)	R1/8"
Weight	6,6 Kg
Basic dynamic load rating (C)	57,2 kN