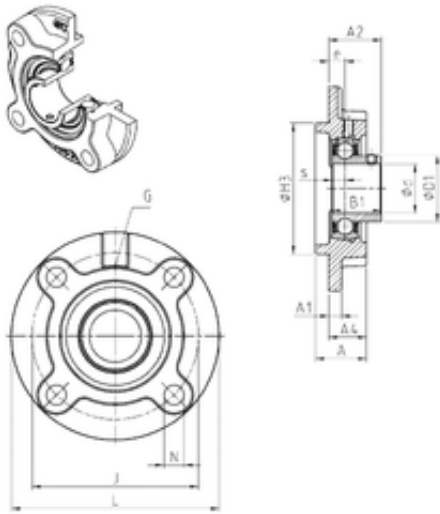




NTN BEARUNG DRIVESHAFT,INC.



SNR USFC201 bearing units

Bearing No. USFC201

Bore Diameter	12 mm
d	12 mm
H3	55 mm
A4	19 mm
e	10 mm
s	6 mm
A	23 mm
A1	5 mm
B1	22 mm
D1	24,6 mm
J	70 mm
L	90 mm
N	12 mm
Thread (G)	M6x1
A2	26 mm
Weight	0,5 Kg
Basic dynamic load rating (C)	9,55 kN

USFC201 Bearing 2D drawings and 3D CAD models