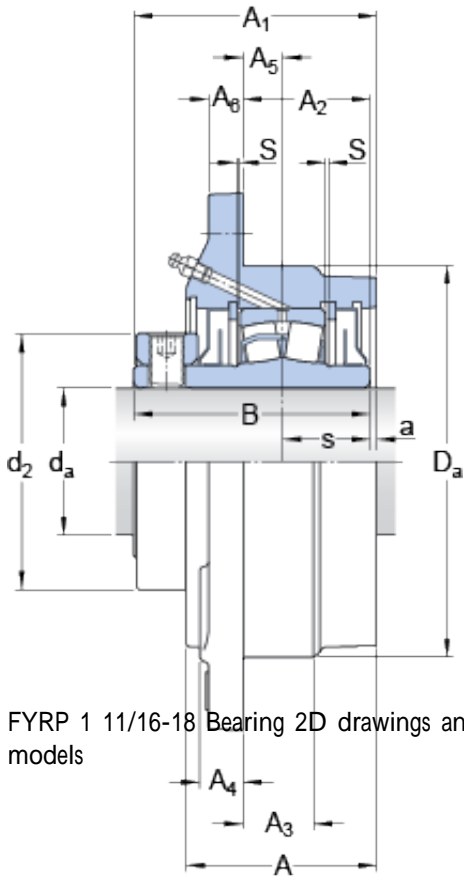




# NTN BEARUNG DRIVESHAFT, INC.



FYRP 1 11/16-18 Bearing 2D drawings and 3D CAD models

## SKF FYRP 1 11/16-18 bearing units

Bearing No. FYRP 1 11/16-18

Size	42.862x68.659x107.95 mm
Bore Diameter	42,862 mm
Outer Diameter	68,659 mm
Width	107,95 mm
d <sub>a</sub>	42.862 mm
d <sub>2</sub>	68.659 mm
D <sub>a</sub>	107.95 mm
A	63.5 mm
A <sub>1</sub>	79.375 mm
A <sub>2</sub>	40.481 mm
A <sub>3</sub>	22.225 mm
A <sub>4</sub>	15.875 mm
A <sub>5</sub>	15.875 mm
A <sub>6</sub>	12.7 mm
B	73.025 mm
a	7.144 mm
J	130.175 mm
L	155.575 mm
N <sub>1</sub>	12.7 mm
s	25.4 mm
S	0.794 mm
Basic dynamic load rating - C	77 kN
Limiting speed	5300 r/min
d <sub>a</sub>	42.862 mm



## NTN BEARUNG DRIVESHAFT, INC.

$d_2$	68.659 mm
$D_a$	107.95 mm
$A_1$	79.375 mm
$A_2$	40.481 mm
$A_3$	22.225 mm
$A_4$	15.875 mm
$A_5$	15.875 mm
$A_6$	12.7 mm
$N_1$	12.7 mm
Basic dynamic load rating C	77 kN
Mass bearing unit	3.54 kg
Attachment bolt diameter G	11.113 mm