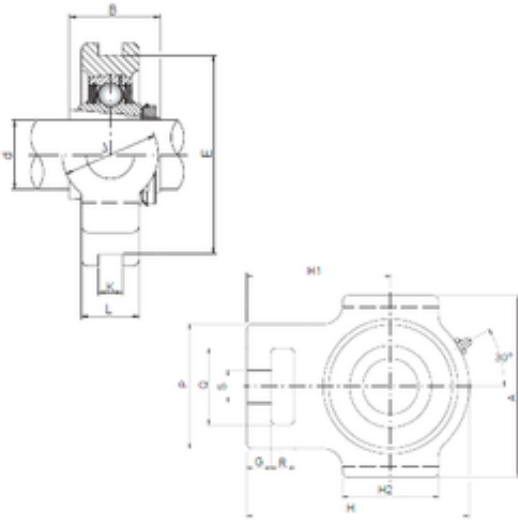




NTN BEARUNG DRIVESHAFT,INC.

ISO UKT212 bearing units

Bearing No. UKT212



UKT212 Bearing 2D drawings and 3D CAD models

Bore Diameter	55 mm
d	55 mm
P	102 mm
Q	64 mm
A	146 mm
B	62 mm
E	130 mm
G	19 mm
H	194 mm
H1	119 mm
H2	102 mm
J	64 mm
K	22 mm
L	46 mm
R	32 mm
S	35 mm