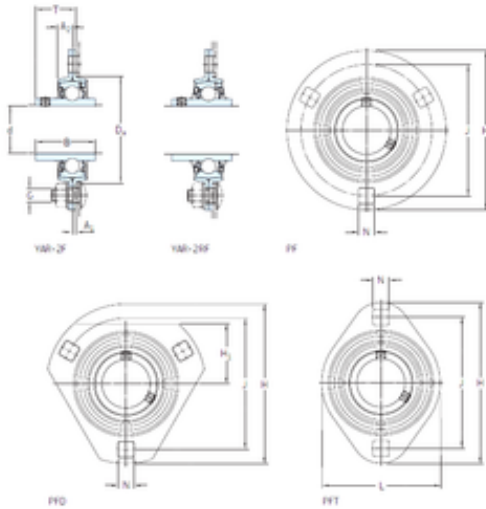




NTN BEARUNG DRIVESHAFT, INC.



PF 30 TR Bearing 2D drawings and 3D CAD models

SKF PF 30 TR bearing units

Bearing No. PF 30 TR

Bore Diameter	30 mm
Width	38,1 mm
d	30 mm
Da	71 mm
A1	2,5 mm
B	38,1 mm
G	10 mm
H	112 mm
H1	– mm
J	90,5 mm
L	–
N	10,5 mm
T	24,7 mm
A2	9,5 mm
Weight	0,58 Kg
Basic dynamic load rating (C)	19,5 kN
Basic static load rating (C0)	11,2 kN
Housing material	Pressed steel
A ₁	2.5 mm
A ₂	9.5 mm
B ₄	5 mm
D _a min.	67 mm
s ₁	22.2 mm
Basic dynamic load rating C	19.5 kN
Basic static load rating C ₀	11.2 kN
Fatigue load limit P _u	0.475 kN



NTN BEARUNG DRIVESHAFT,INC.

Permissible radial housing load max.	5 kN
Mass unit	0.58 kg
Thread grub screw G_2	M6x0.75
Hexagonal key size for grub screw N	3 mm
Recommended tightening torque for grub screw	4 N · m
Recommended diameter for attachment bolts, mm G	10 mm
Recommended diameter for attachment bolts, inch G	0.375 in