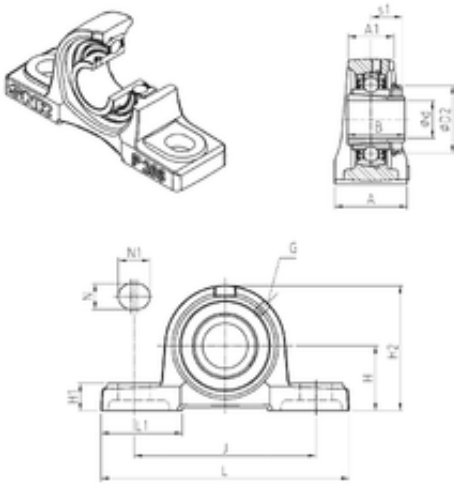




NTN BEARUNG DRIVESHAFT, INC.



SNR UKP320H bearing units

Bearing No. UKP320H

Bore Diameter	90 mm
d	90 mm
s1	54 mm
A	120 mm
A1	81 mm
B	97 mm
D2	130 mm
H	140 mm
H1	50 mm
H2	275 mm
J	380 mm
L	490 mm
L1	130 mm
N	36 mm
N1	50 mm
Thread (G)	M10x1
Weight	37,8 Kg
Basic dynamic load rating (C)	171,6 kN

UKP320H Bearing 2D drawings and 3D CAD models