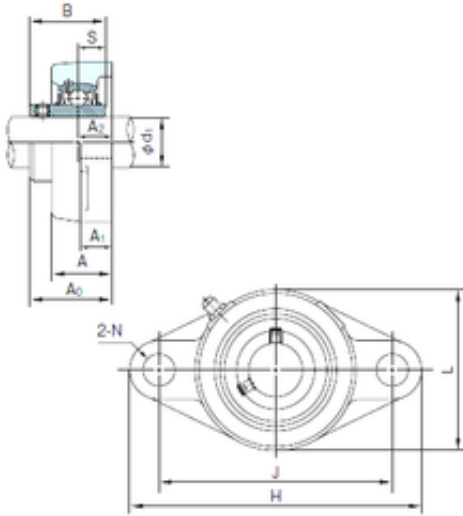




NTN BEARUNG DRIVESHAFT, INC.

NACHI UCFL317 bearing units

Bearing No. UCFL317



UCFL317 Bearing 2D drawings and 3D CAD models

Bore Diameter	85 mm
d1	85 mm
A0	100 mm
A	74 mm
A1	32 mm
B	96 mm
H	370 mm
J	300 mm
L	220 mm
L1	232 mm
N	38 mm
S	40 mm
Bolt (G)	M33
A2	44 mm