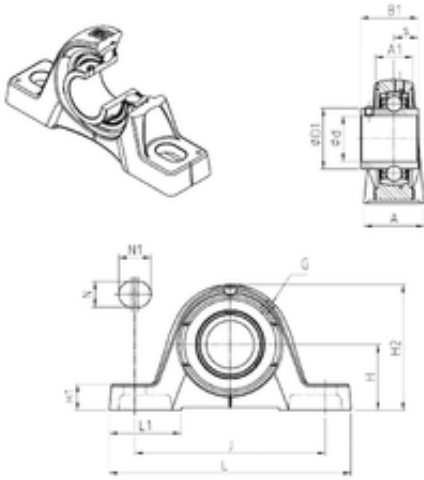




NTN BEARUNG DRIVESHAFT, INC.

SNR UCPE218 bearing units

Bearing No. UCPE218



UCPE218 Bearing 2D drawings and 3D CAD models

Bore Diameter	90 mm
d	90 mm
s	39,7 mm
A	85 mm
A1	55 mm
B1	96 mm
D1	111 mm
H	101,6 mm
H1	35 mm
H2	200 mm
J	268 mm
L	330 mm
L1	99 mm
N	27 mm
N1	35 mm
Thread (G)	R1/8"
Weight	13,3 Kg
Basic dynamic load rating (C)	96 kN