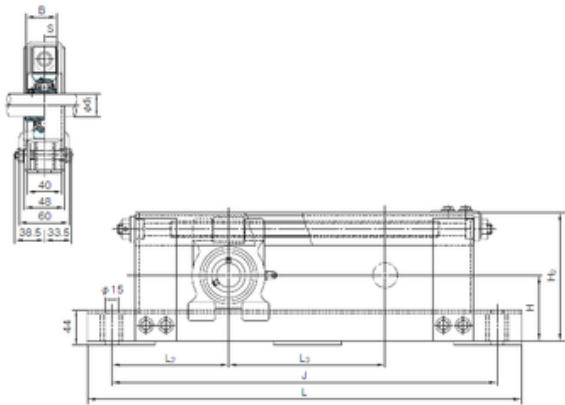




NTN BEARUNG DRIVESHAFT,INC.

NACHI UCTL204+WL100 bearing units

Bearing No. UCTL204+WL100



UCTL204+WL100 Bearing 2D drawings and 3D CAD models

Bore Diameter	20 mm
Width	31 mm
d	20 mm
L2	135 mm
L3	100 mm
B	31 mm
H	77 mm
H2	146 mm
J	370 mm
L	430 mm
S	12,7 mm
Bolt (G)	M12