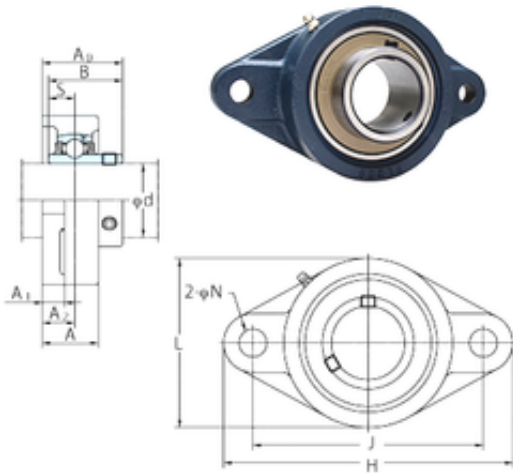




# NTN BEARUNG DRIVESHAFT,INC.

## FYH UCFL207-20E bearing units

Bearing No. UCFL207-20E



UCFL207-20E Bearing 2D drawings and 3D CAD models

Bore Diameter	31,75 mm
d	31,75 mm
A0	44,4 mm
A	34 mm
A1	14 mm
B	42,9 mm
H	161 mm
J	130,2 mm
L	90 mm
N	13 mm
S	17,5 mm
A2	19 mm
Weight	1,2 Kg
Basic dynamic load rating (C)	3 kN
Basic static load rating (C0)	15,4 kN