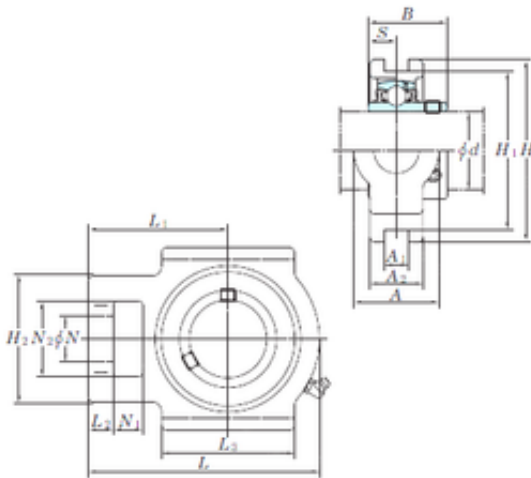




NTN BEARUNG DRIVESHAFT, INC.



KOYO UCT310 bearing units

Bearing No. UCT310

Bore Diameter	50 mm
d	50 mm
L2	20 mm
L3	106 mm
A	61 mm
A1	20 mm
B	61 mm
H	151 mm
H1	140 mm
H2	98 mm
L	191 mm
L1	117 mm
N	37 mm
N1	27 mm
S	22 mm
A2	40 mm
N2	61 mm
Weight	4,9 Kg
Basic dynamic load rating (C)	62 kN
Basic static load rating (C0)	38,3 kN
Bearing No.	UCT310
Cr	62.0
C0r	38.3
f0	13.2
(Refer.)Unit mass(kg)	4.9
Nipple size	R1/8

UCT310 Bearing 2D drawings and 3D CAD models



NTN BEARUNG DRIVESHAFT,INC.