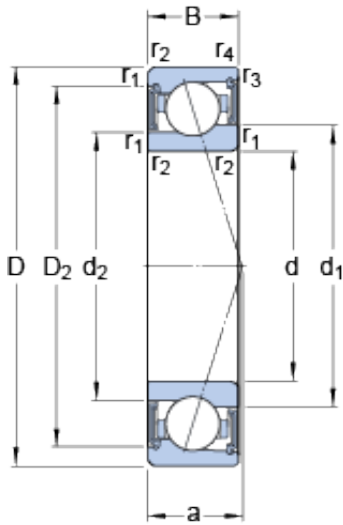




# NTN BEARUNG DRIVESHAFT, INC.



20 mm x 37 mm x 9 mm SKF S71904 ACE/P4A  
angular contact ball bearings

Bearing No. S71904 ACE/P4A

S71904 ACE/P4A Bearing 2D drawings and 3D CAD models

Size	37x20x9 mm
Bore Diameter	37 mm
Outer Diameter	20 mm
Width	9 mm
d	20 mm
D	37 mm
B	9 mm
d <sub>1</sub>	25.65 mm
d <sub>2</sub>	24.4 mm
D <sub>2</sub>	33.5 mm
r <sub>1,2</sub> - min.	0.3 mm
r <sub>3,4</sub> - min.	0.15 mm
a	11.6 mm
d <sub>a</sub> - min.	22 mm
d <sub>a</sub> - max.	25.3 mm
d <sub>b</sub> - min.	22 mm
d <sub>b</sub> - max.	24 mm
D <sub>a</sub> - max.	35 mm
D <sub>b</sub> - max.	36.2 mm
r <sub>a</sub> - max.	0.3 mm
r <sub>b</sub> - max.	0.15 mm
Basic dynamic load rating - C	4.7 kN
Basic static load rating - C <sub>0</sub>	2.3 kN
Fatigue load limit - P <sub>u</sub>	0.098 kN



## NTN BEARUNG DRIVESHAFT, INC.

Limiting speed for grease lubrication	52000 r/min
Ball - $D_w$	4.762 mm
Ball - $z$	14
Calculation factor - $e$	0.68
Calculation factor - $Y_2$	0.87
Calculation factor - $Y_0$	0.38
Calculation factor - $X_2$	0.41
Calculation factor - $Y_1$	0.92
Calculation factor - $Y_2$	1.41
Calculation factor - $Y_0$	0.76
Calculation factor - $X_2$	0.67
Preload class A - $G_A$	42 N
Preload class B - $G_B$	130 N
Preload class C - $G_C$	250 N
Calculation factor - $f$	1.04
Calculation factor - $f_1$	0.99
Calculation factor - $f_{2A}$	1
Calculation factor - $f_{2B}$	1.04
Calculation factor - $f_{2C}$	1.07
Calculation factor - $f_{HC}$	1
Preload class A	47 N/micron
Preload class B	69 N/micron
Preload class C	88 N/micron
$d_1$	25.65 mm
$d_2$	24.4 mm
$D_2$	33.5 mm
$r_{1,2}$ min.	0.3 mm
$r_{3,4}$ min.	0.15 mm
$d_a$ min.	22 mm



## NTN BEARUNG DRIVESHAFT, INC.

$d_a$ max.	25.3 mm
$d_b$ min.	22 mm
$d_b$ max.	24 mm
$D_a$ max.	35 mm
$D_b$ max.	36.2 mm
$r_a$ max.	0.3 mm
$r_b$ max.	0.15 mm
Basic dynamic load rating C	4.68 kN
Basic static load rating $C_0$	2.28 kN
Fatigue load limit $P_u$	0.098 kN
Attainable speed for grease lubrication	52000 r/min
Ball diameter $D_w$	4.762 mm
Number of balls z	14
Preload class A $G_A$	42 N
Static axial stiffness, preload class A	47 N/ $\mu$ m
Preload class B $G_B$	130 N
Static axial stiffness, preload class B	69 N/ $\mu$ m
Preload class C $G_C$	250 N
Static axial stiffness, preload class C	88 N/ $\mu$ m
Calculation factor f	1.04
Calculation factor $f_1$	0.99
Calculation factor $f_{2A}$	1
Calculation factor $f_{2B}$	1.04
Calculation factor $f_{2C}$	1.07
Calculation factor $f_{HC}$	1
Calculation factor e	0.68
Calculation factor (single, tandem) $Y_2$	0.87
Calculation factor (single, tandem) $Y_0$	0.38



## NTN BEARUNG DRIVESHAFT,INC.

Calculation factor (single, tandem) $X_2$	0.41
Calculation factor (back-to-back, face-to-face) $Y_1$	0.92
Calculation factor (back-to-back, face-to-face) $Y_2$	1.41
Calculation factor (back-to-back, face-to-face) $Y_0$	0.76
Calculation factor (back-to-back, face-to-face) $X_2$	0.67
Mass bearing	0.035 kg