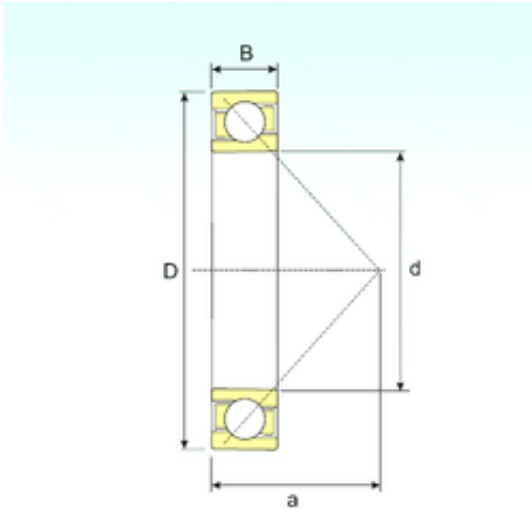




NTN BEARUNG DRIVESHAFT,INC.



7060 A Bearing 2D drawings and 3D CAD models

300 mm x 460 mm x 74 mm ISB 7060 A angular contact ball bearings

Bearing No. 7060 A

Size	300x460x74 mm
Bore Diameter	300 mm
Outer Diameter	460 mm
Width	74 mm
d	300 mm
D	460 mm
B	74 mm
C	74 mm
a	147 mm
Weight	42,5 Kg
Basic dynamic load rating (C)	423 kN
Basic static load rating (C0)	530 kN
(Grease) Lubrication Speed	950 r/min